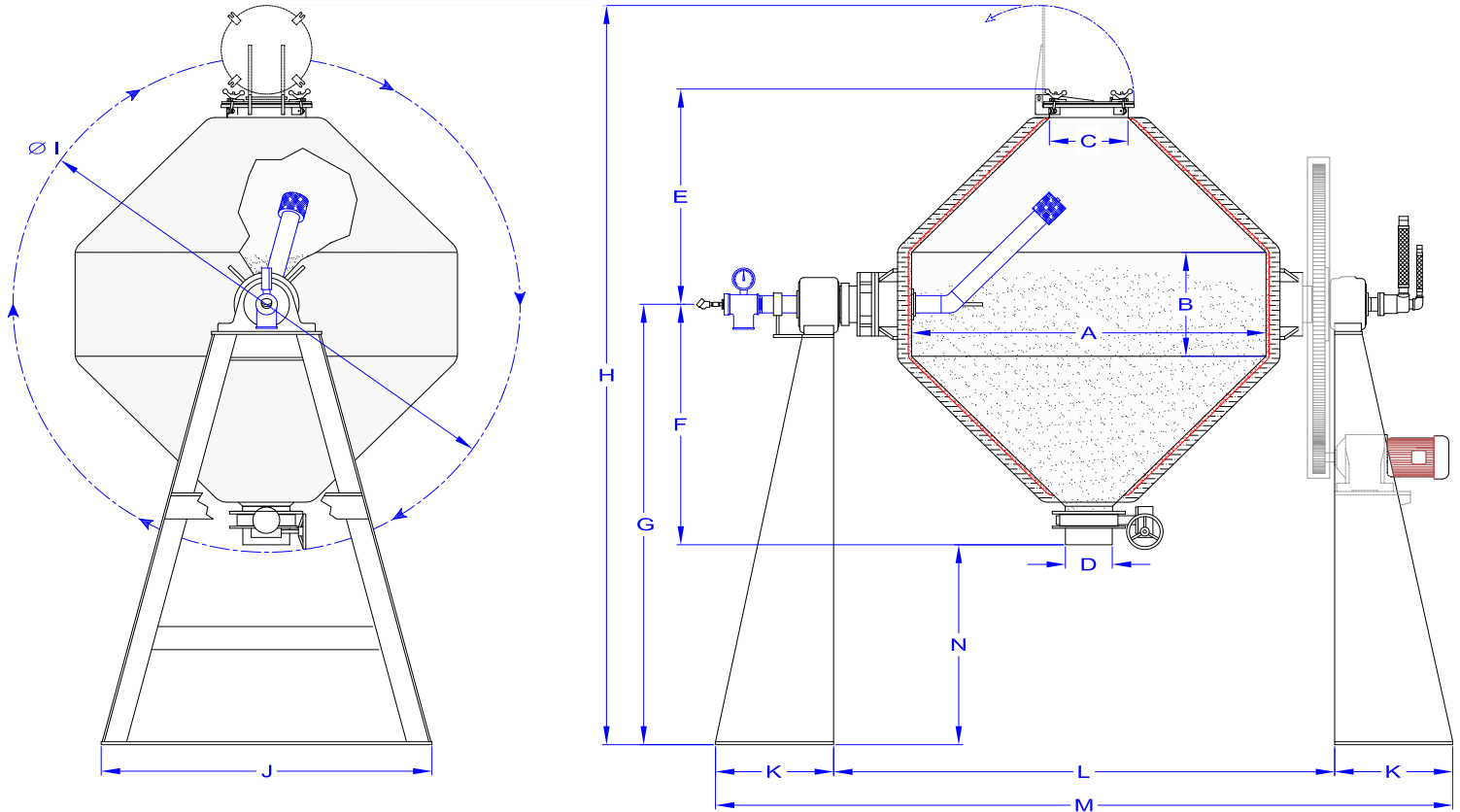


# ROTA-CONE<sup>®</sup> VACUUM DRYER

**PAUL O. ABBE<sup>®</sup>**  
Since 1911



Dimensions are inches unless otherwise noted.

Model	Working Capacity (ft <sup>3</sup> ) [1]	Total Volume (ft <sup>3</sup> )	Jacketed Surface (ft <sup>2</sup> ) [2]	Vacuum Line (in.)	HP [3]	RPM [4]	A	B	C	D	E	F	G	H	I	J	K	L	M	N	shipping weight (lbs.)
RCVD - 0.13	0.13	0.2	1.5	0.75	0.25	13	9	3	4	4	5	4	22	31	16	18	na	na	41	18	210
RCVD - 0.33	0.33	0.5	2.9	1	0.25	10	12	4	4	4	7	6	24	35	20	19	na	na	40	18	280
RCVD - 1.1	1.1	1.7	6.7	1	0.25	8	18	6	6	6	11	14	32	49	28	18	8	25	54	18	500
RCVD - 2.5	2.5	3.9	11.9	1	0.25	7	24	8	8	6	14	19	37	59	38	18	10	31	64	18	830
RCVD - 5	5	7.7	18.7	1.5	0.25	7	30	10	10	6	18	23	41	69	46	18	12	38	73	18	1,300
RCVD - 9	8.8	13.5	27.4	1.5	0.25	6	36	11	10	6	22	27	45	77	53	18	12	45	80	18	2,100
RCVD - 11	11	16.9	31.6	1.5	0.5	6	39	12	14	6	23	29	47	84	57	24	12	49	89	18	2,500
RCVD - 14	13.7	21	36.5	1.5	0.5	6	42	13	16	6	24	31	49	89	61	24	12	52	92	18	2,900
RCVD - 21	21	32	48.0	2	0.75	5	48	16	16	6	29	35	38	83	70	30	12	60	110	3	3,700
RCVD - 29	29	45	62.0	2	1	5	54	18	16	8	33	40	43	92	80	36	15	67	123	3	4,400
RCVD - 40	40	62	77.0	2	1.5	4	60	20	16	8	37	44	47	100	88	36	15	74	130	3	5,300
RCVD - 54	54	83	93.0	3	2	4	66	21	16	10	40	49	52	108	97	42	15	80	141	3	6,200
RCVD - 70	70	108	111.0	3	3	4	72	22	16	10	44	52	55	115	104	42	15	88	151	3	6,900
RCVD - 89	89	137	131.0	3	3	4	78	24	16	10	48	56	59	123	112	48	15	94	160	3	7,900
RCVD - 112	112	172	151.0	3	5	4	84	25	18	12	51	61	64	133	121	48	18	103	174	3	9,100
RCVD - 137	137	210	174.0	4	5	3	90	27	18	12	55	65	68	141	129	54	18	109	186	3	10,400
RCVD - 166	166	255	199.0	4	7.5	3	96	28	18	12	58	68	71	147	136	54	24	115	198	3	11,900
RCVD - 198	198	305	225.0	4	7.5	3	102	30	18	12	62	72	75	155	144	60	24	121	206	3	14,000
RCVD - 237	237	365	253.0	4	10	3	108	32	18	12	66	76	79	163	152	60	30	131	226	3	16,300
RCVD - 277	277	426	282.0	4	10	3	114	33	18	12	70	80	83	171	159	66	30	138	240	3	18,300
RCVD - 325	325	500	313.0	6	15	3	120	37	18	12	75	85	88	181	169	72	30	144	240	3	20,200

Dimensions and capacities are approximate and subject to change. Do not use for installation.  
 [1] Operating capacity is 65% of total volume.  
 [2] Standard jacket is <15 psig non-code - high pressure ASME code jackets available.

[3] Horsepower is based on bulk density of 50 lbs./ft<sup>3</sup> and natural angel of repose of 45°.  
 [4] Rotational speed can be changed based on product characteristics.  
 [5] Standard drive: A = gear & pinion, B = chain & sprockets, C = hollow-bore (optional on most models)

**Talk with the Experts**

phone 630.350.3012  
sales@pauloabbe.com

fax 630.238.7584  
www.pauloabbe.com