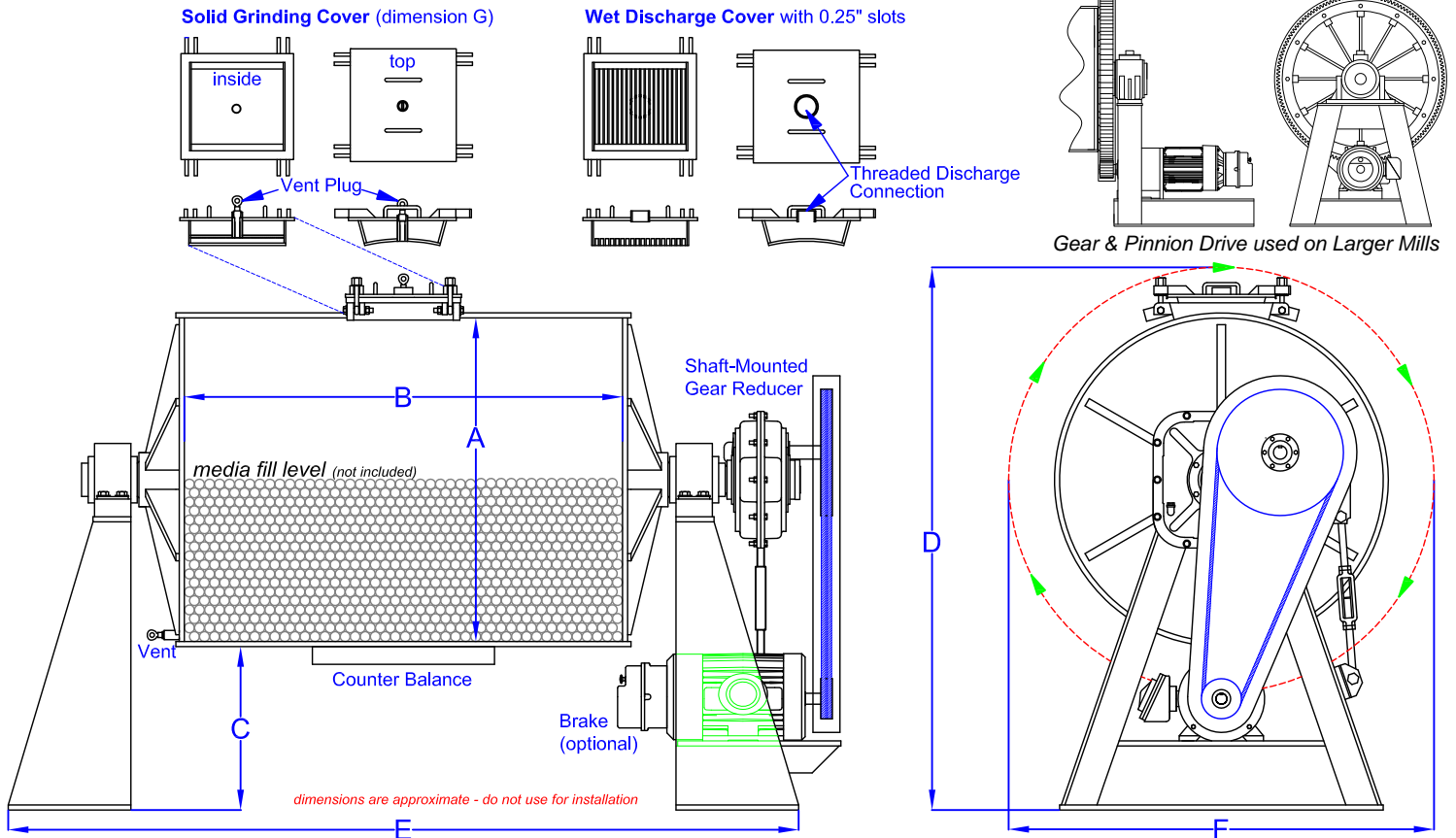


BALL MILLS

WET & DRY SIZE REDUCTION



Model	Total Volume		WET Working Capacity (60% of total)		DRY Working Capacity (25% of total)		steel media 50% charge (pounds)	rpm WET milling 65% of critical	rpm DRY milling 60% of critical	Cylinder and Overall Dimensions (inches)							weight (w/o media)
	usg	ft ³	usg	ft ³	usg	ft ³				A	B	C	D	E	F	G	
										cylin- der diameter	cylin- der length	cylin- der to floor	height	length	depth	hatch	
BM - 16	16	2.1	9.6	1.3	4.0	0.5	322	46	43	15	21	18	42	52	43	5.3 x 5.3	780
BM - 26	26	3.5	16	2.1	6.6	0.9	530	42	39	18	24	18	45	54	43	7.75 x 9.25	1,000
BM - 42	42	5.6	25	3.4	10	1.4	842	39	36	21	28	21	51	54	54	7.75 x 9.25	1,200
BM - 59	59	7.9	35	4.7	15	2.0	1,178	36	33	24	30	21	54	62	50	7.75 x 9.25	1,560
BM - 71	71	9.4	42	5.7	18	2.4	1,414	36	33	24	36	21	54	69	50	7.75 x 9.25	1,630
BM - 84	84	11	50	6.7	21	2.8	1,676	31	29	32	24	23	64	69	64	7.75 x 9.25	2,200
BM - 125	125	17	75	10.1	31	4.2	2,514	31	29	32	36	23	64	81	64	7.75 x 9.25	2,480
BM - 223	223	30	134	18	56	7.5	4,481	29	27	37	48	23	69	92	69	13.25 x 14.75	3,560
BM - 288	288	38	173	23	72	10	5,773	27	25	42	48	24	75	92	83	13.25 x 14.75	4,560
BM - 330	330	44	198	27	83	11	6,628	26	24	45	48	24	78	102	87	13.25 x 14.75	7,640
BM - 470	470	63	282	38	118	16	9,426	25	23	48	60	24	82	155	73	13.25 x 14.75	6,980
BM - 476	476	64	286	38	119	16	9,544	24	22	54	48	24	90	144	78	13.25 x 14.75	7,240
BM - 595	595	80	357	48	149	20	11,930	24	22	54	60	24	90	150	78	13.25 x 14.75	8,900
BM - 588	588	79	353	47	147	20	11,783	22	21	60	48	26	96	156	84	13.25 x 14.75	9,940
BM - 734	734	98	441	59	184	25	14,728	22	21	60	60	26	96	168	84	13.25 x 14.75	11,160
BM - 881	881	118	529	71	220	29	17,674	22	21	60	72	26	96	180	84	13.25 x 14.75	12,780
BM - 941	941	126	565	75	235	31	18,872	22	20	62	72	26	98	174	87	13.25 x 14.75	12,950
BM - 1058	1,058	141	635	85	264	35	21,209	20	19	72	60	36	118	174	97	13.25 x 14.75	16,300
BM - 1269	1,269	170	761	102	317	42	25,450	20	19	72	72	36	118	195	97	13.25 x 14.75	18,000
BM - 1692	1,692	226	1,015	136	423	57	33,934	20	19	72	96	36	118	226	97	13.25 x 14.75	23,000
BM - 1904	1,904	255	1,142	153	476	64	38,175	20	19	72	108	36	118	241	97	13.25 x 14.75	24,200
BM - 2115	2,115	283	1,269	170	529	71	42,417	20	19	72	120	36	118	260	97	13.25 x 14.75	26,300
BM - 4896	4,896	655	2,938	393	1,224	164	98,188	17	16	100	144	42	161	324	120	13.25 x 18	60,000

Talk with the Experts

phone 630.350.3012
sales@pauloabbe.com

fax 630.238.7584
www.pauloabbe.com

BALL MILLS

WET & DRY SIZE REDUCTION

Dry Discharge requires the use of a dust tight enclosure.

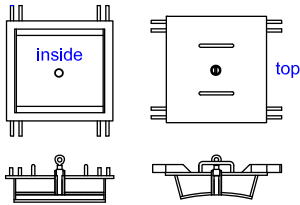


Shown above is a **Full Housing** which encloses the entire cylinder - dust seals are on the shaft.

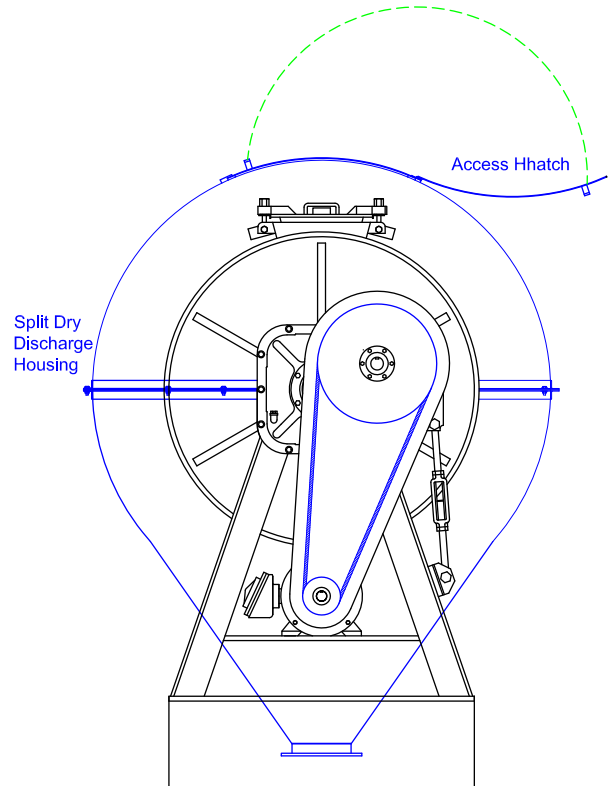
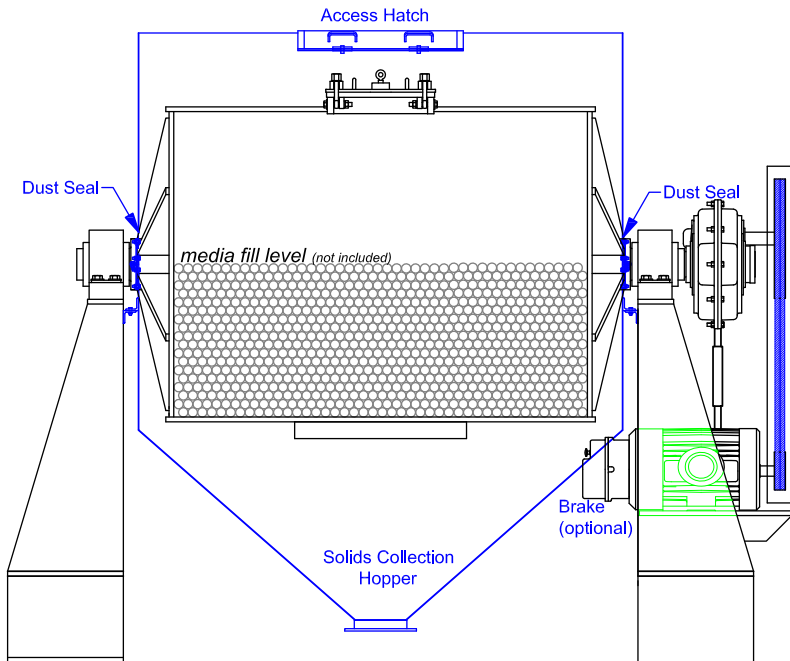
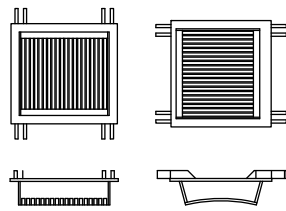


Shown above is a **Half Housing** which encloses the center of the cylinder - dust seals are on the cylinder.

Steel Grinding Cover



Dry Discharge Grate with 0.25" slots



Talk with the **Experts**

phone 630.350.3012
sales@pauloabbe.com

fax 630.238.7584
www.pauloabbe.com